



KONICA MINOLTA

DRYPRO Σ



Giving Shape to Ideas

SIGMA PACKAGE

DRYPRO SIGMA is a tabletop DRY Laser Imager that adds true customer value to all institutions using film. Digital imaging is made easy and efficient, especially when combined with REGIUS SIGMA II and ImagePilot. One step is all it takes to take you to the digital world. The compact and powerful SIGMA package services make it all possible.



DIRECT DIGITIZER

REGIUS Σ II



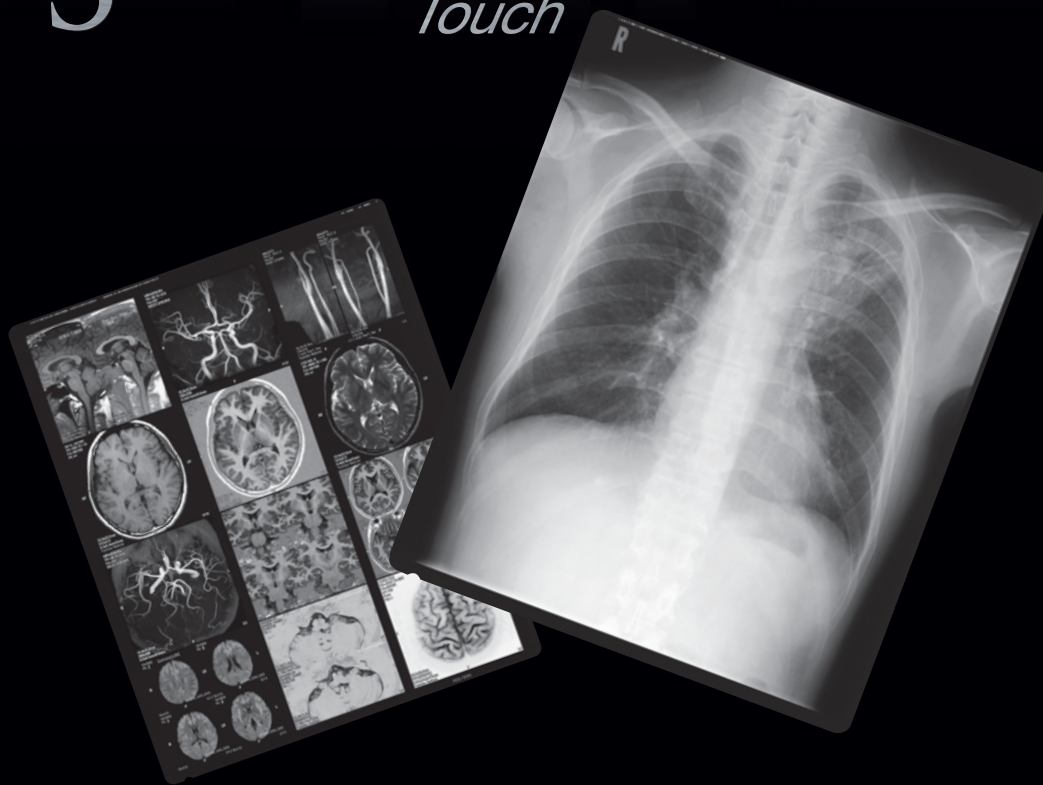
IMAGING STATION

ImagePilot
Touch

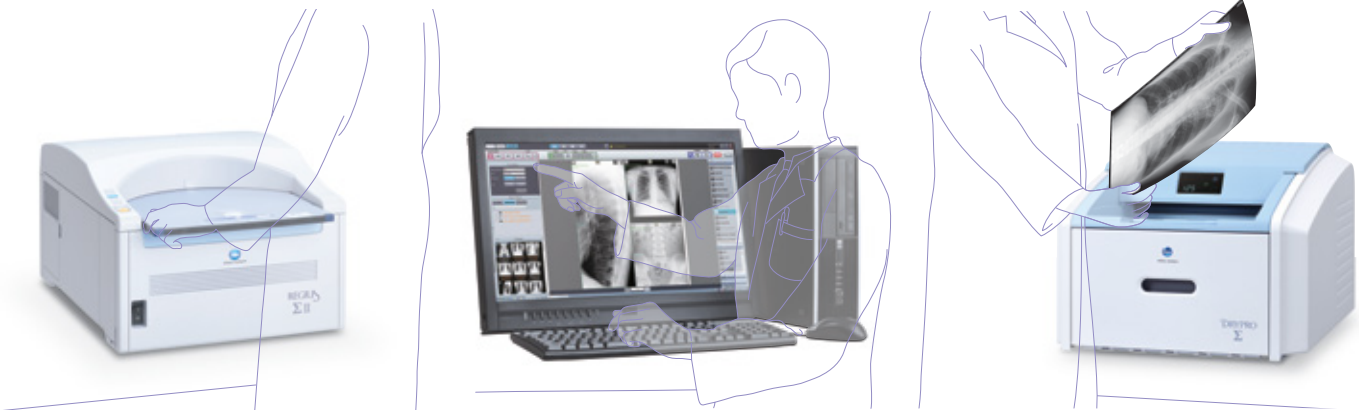


LASER IMAGER

DRYPRO Σ



From patient registration to film output, Konica Minolta provides a complete workflow.



I. Digitize

Just insert an exposed cassette into the REGIUS SIGMA II CR reader. Image Pilot then automatically processes the image for optimal diagnostic viewing. REGIUS SIGMA II delivers up to 60 plates per hour (14x17").

II. Print View

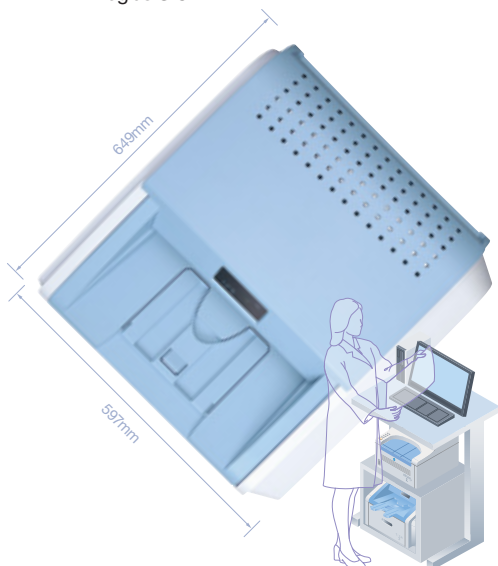
ImagePilot has a Print Compose mode which allows you to adjust images, layouts, and annotations freely. Since adjustments can be made on the image acquisition screen without needing to switch to another screen, the task can be completed in a much shorter time.

III. Print

The DRYPRO SIGMA outputs the films up to 45 sheets (14x17") per hour. Drypro SIGMA has four film sizes available, which can be transposed based on user needs.

Compact Design

DRYPRO SIGMA is a desktop DRY Laser Imager. It features a compact footprint as small as 65x60 cm. It is designed to seamlessly integrate into various environments especially when combined with Regius SIGMA II.



Four film sizes and easy loading process

Users can use up to four film sizes for different purposes. Open the front cover, retrieve the film inside, and load your choice of film size. Replacing the film is easy with this simple process.



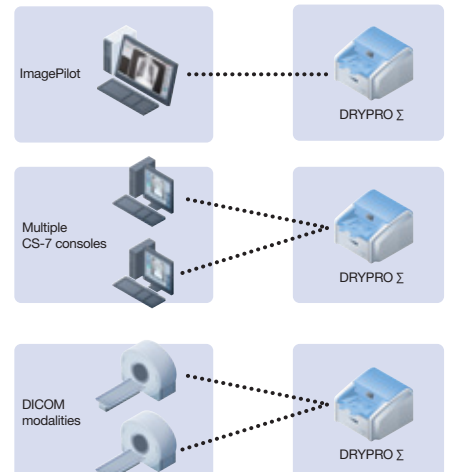
User-friendly

DRYPRO SIGMA is easy to operate and requires no hands-on training upon installation offering intuitive usability.

DICOM PRINTER

DRYPRO SIGMA can easily connect with other CR or DR consoles, CT or MR, in addition to ImagePilot. Non-DICOM images can be imported easily using ImagePilot and then be printed using DRYPRO SIGMA.

Example of connectivity layout



DRYPRO SIGMA Specifications

■ Laser Source

Semiconductor Laser

■ Film Size

14"x17" (35x43 cm), 11"x14" (28x35 cm), 10"x12" (25x30 cm), and 8"x10" (20x25 cm) selectable

■ Film

Dry Imaging recording film SD-S

■ Image Format

1,2,4,6,8,9,12,15,16,20,24,30,35

■ Image Memory

2 GB

■ Pixel Size

78 μ m

■ Processing capability

Up to 45 films per hour (14x17" / 35x43 cm)

■ Input interface

Ethernet 10/100/1000 Base-T

- Integrated DICOM interface supports printing from DICOM print modalities

* Connect non-DICOM modalities using PrintLink IV, ID

■ Operating conditions

15 - 33 °C (59-91 F) 20 - 80 % RH, non-condensing

■ Power

100-120 V \pm 10% (50/60 HZ) 9 A

200-240 V \pm 10% (50/60 HZ) 5 A

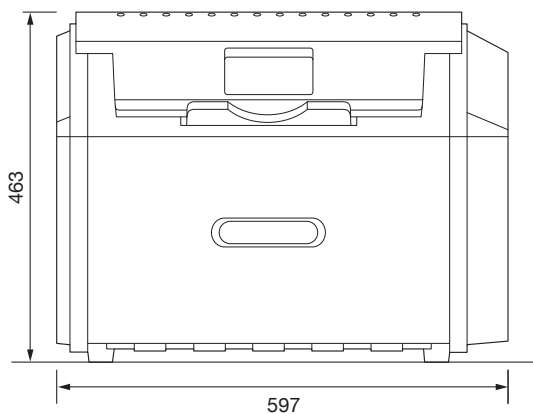
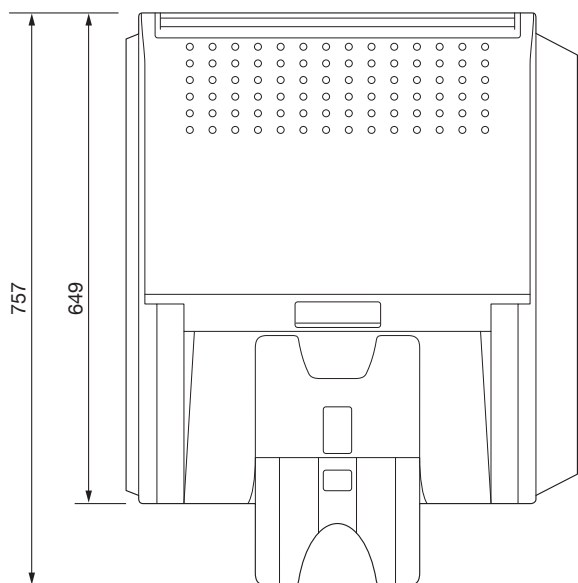
■ Dimensions / Weight

W597 mm X D649 mm X H463 mm / 54 kg

■ Footprint

0.39 m²

DRYPRO SIGMA Outer Dimensions



Unit : mm 1/10 scaled

*Specifications are subject to change without prior notice.



KONICA MINOLTA

Konica Minolta Business Solutions Europe GmbH- Healthcare Division

Capellalaan 65, 2132 JL Hoofddorp, The Netherlands

healthcare@konicaminolta.eu - www.konicaminolta.eu/healthcare

Distributed by :